



PROJECT		REF		REV	ITEM CODE	
LOCATION		DATE			PAGE	

SANITARY WARE SPECIFICATION SHEET

<p>Item Descriptions</p> <p>American Standard (PRC) Chrome plated sensor faucet with Line-Sensor Technology, AC 220V</p>	<p>Dimensions</p> <p>L128 x W55 x H121 mm</p>	<p align="center">Illustration/ Drawing</p>	
<p>Model</p> <p>CF-8509.A00.50</p>	<p>Finish</p> <p>Chrome Plated</p>		
<p>Manufacturer</p> <p>American Standard (PRC)</p>	<p>Source</p> <p>Acme Sanitary Ware Co. Ltd Mr. Eric Wong / Mr. Don Yuen</p>		
<p>Contact Tel/Fax</p> <p>(852) 2388-7171 / (852) 2710-8012</p>	<p>E-mail</p> <p>acme@acmesanitary.com.hk</p>		
<p>Website</p> <p>www.acmesanitary.com.hk</p>	<p>Line sensor at the spout With PCA aerator to ensure stable water flow under high pressure Safety stop at 59 sec AC 220V,</p> <ul style="list-style-type: none"> • Consisting of 64-light receiving elements mounted in a straight line at the spout, American Standard's Line Sensor comes equipped with Image Processing Technology to provide unmatched sensor precision compared to a conventional sensor faucet. • The streamlined designed faucets also feature aerated water flow to prevent water splashing, offering you an unparalleled experience of both aesthetics and performance for your commercial projects. 		
			<p>Note:</p>

* All information of the above is for the reference only. No prior notice is made if any changes.



Acme Sanitary Ware Co. Ltd.

1/F, Acme Building, 22-28 Nanking Street, Kowloon, Hong Kong

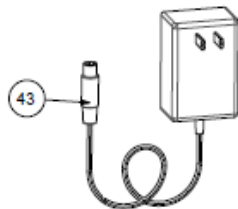
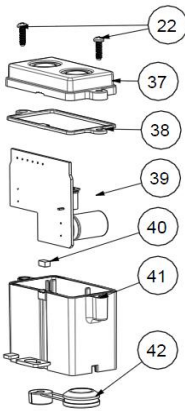
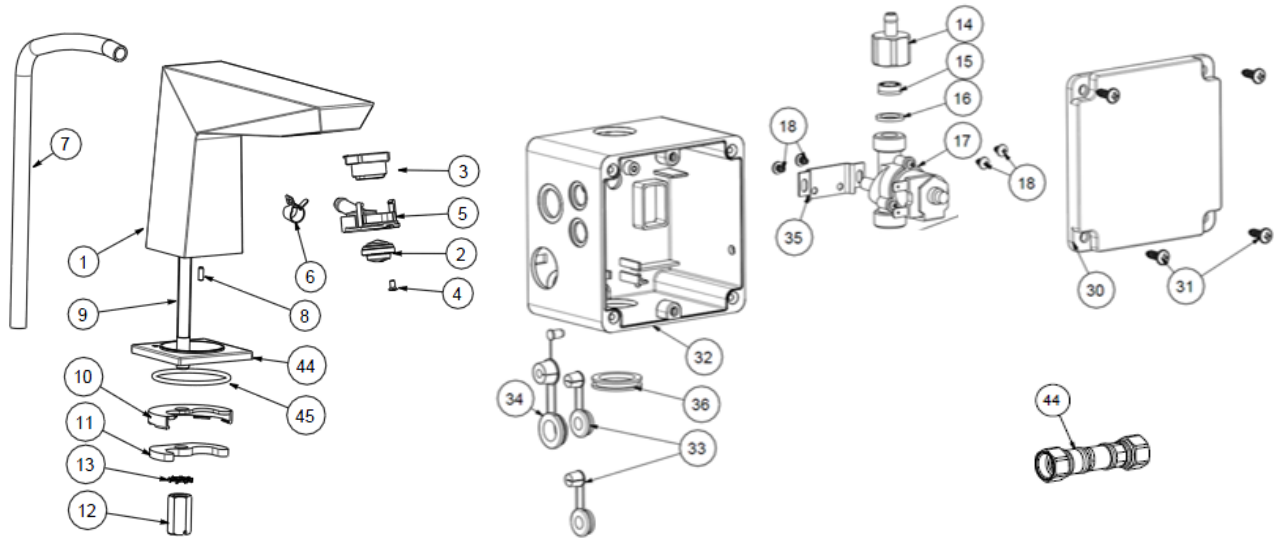
Tel: 2388 7171 Fax: 2710 8012

Email: acme@acmesanitary.com.hk

Website: www.acmesanitary.com.hk

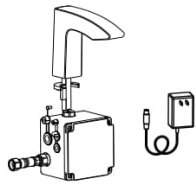
Since 1949

American Standard

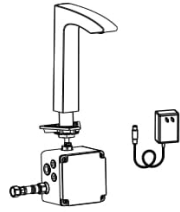


No.	Part Code	Part Des. (EN)
1	FFZZ8509-A0050BDPL	Body For A37 Lava. Sensor fau
2	FF1-CN521N00000269	Screw for Minimalistic Slg Ho
3	FF1-CN521S00000044	Blue Bird Sensor
4	FF1-CN521A0002699P	Aerator PCA2.2gpm(45.2053.2.2
5	FF1-CN521Z00000264	Housing for Blue Bird Sensor
6	FF1-CN521Z00000287	Pipe Click for Sensor Faucet
7	FF1-CN521T00000038	PVC Hose(D10*1.5)
8	FF1-CN521N00000172	Bolt M3*8
9	FF1-CN521Z00000346	SHANK(A917243)
10	FF1-CN521G00000238	Gasket(A911942)
11	FF1-CN521J00000432	Iron Plate A923271 (BVBA)
12	FF1-CN521N00000219	MOUNTING NUT(A906102)
13	FF1-CN521Z00000166	LOCK WASHER
14	FF1-CN521J00000146	Connector for control box
15	FF1-CN521A0002599P	Regulator (58.7359.1)
16	FF1-CN521G00000034	Flat Washer ?18.5* ?13*2
17	FF1-CN521S00000001	Solenoid For Entry Level Sensor Line
30	FF1-CN521F00000048	COVER
31	FF1-CN521N00000239	EJOT-PT-SCREW KB50*16(A918549
32	FF1-CN521Z00000286	CONTROL BOX
33	FF1-CN521G00000306	New Grommet
34	FF1-CN521Z00000081	Rubbler Plug for Control Box(
35	FF1-CN521F00000181	Fixing Board for Solenoid
36	FF1-CN521Z00000080	Rubbler plug for battery box
37	FF1-CN521F00000059	Cover for EL battery box(tran
38	FF1-CN521G00000085	Sealing washer for cover of b
39	FF1-CN521S00000047	Blue Bird PC Board AC
40	FF1-CN521G00000086	Sealing washer for body of ba
41	FF1-CN521Z00000057	Body for EL battery box(trans
42	FF1-CN521Z00000079	Rubbler plug for control box
43	FF1-CN521S0002199P	AC Power
44	FF1-CN521T00000008	GS-1 In-Water Hose 1/2inch*45

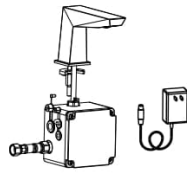
* All information of the above is for the reference only. No prior notice is made if any changes.



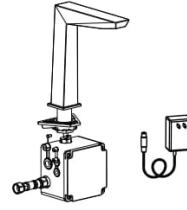
WF-8506.A00.50
line-sensor technology sensor
faucet (AC)



WF-8507.A00.50
line-sensor technology extend
sensor faucet (AC)

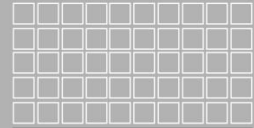


WF-8509.A00.50
line-sensor technology square
senso faucet (AC)



WF-8510.A00.50
line-sensor technology square
extend senso faucet (AC)

American Standard



Installation & Operation
Instruction

**Thank you for selecting American-Standard - the benchmark of fine quality for over 100 years.
To ensure that your installation proceeds smoothly--please read these instructions carefully before you begin.**

* American Standard always keep raising and improving the product design and performance, and reserve the right to modify the dimension and specification. At this case, we will not inform you separately.

* This installation instruction sheet is for your reference only, the dimension and specification is subject to the actual products.

All instruction procedures must comply in strict accordance with applicable local plumbing and building codes

Caution

1. Remove all the impurities in pipes before beginning to avoid clogging.
2. Water supply for this product should be drinking water. Seawater is forbidden.
3. Check installation distances with the dimension diagram to ensure correct installation.
4. To avoid surface damage by improper cleaning, please refer the attached care and Maintenance instruction.
5. Don't make the sensor window close to electromagnetic or the strong ultraviolet radiation so as not to affect the normal work of the installation.
6. Please turn off the water supply system during maintenance.
7. Keep the sensor window clean. And don't Knock on it.
8. Organic solvent shouldn't spray to the sensor window directly.

Recommended Tools and Materials



Pipe Wrench



Adjustable Wrench



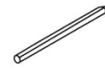
Gradienter



Tapeline



Screwdriver



Pencil



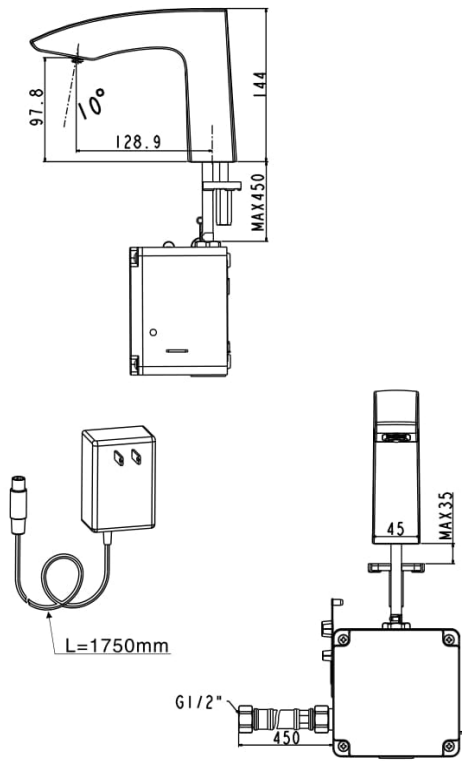
Windtight Swathe

Specification

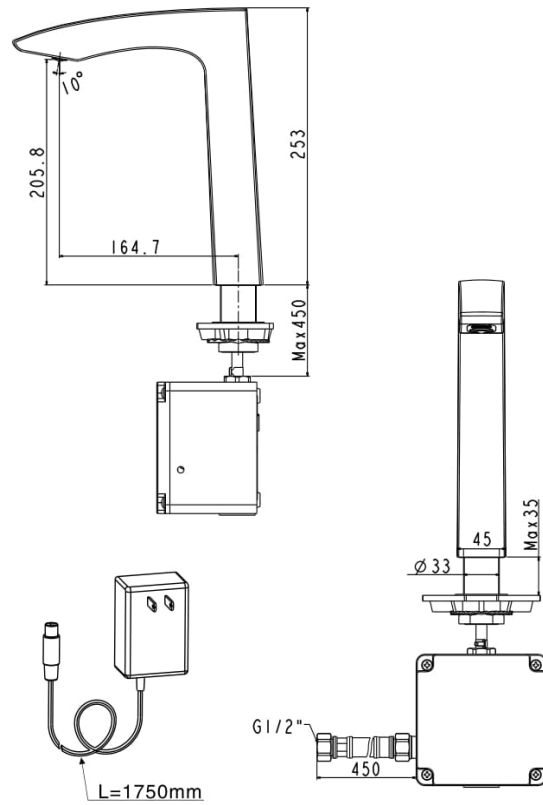
Type	WF-8506.A00.50 / WF-8507.A00.50 / WF-8509.A00.50 / WF-8510.A00.50
Power Supply	AC220V 50Hz (AC)
Mode of the inducing	Infrared Induction
Detection Distance	130mm
Recommended water pressure condition	0.05Mpa ~ 0.75Mpa
Pressure Requirement	0.1 ~ 0.55Mpa
Pipe Size	G 1/2"
Environment Temperature	1°C ~ 55°C
Acceptable water temperature	1°C ~ 45°C
Water saving setting	Usage time over 59 Seconds, it will shut off automatically

Dimension

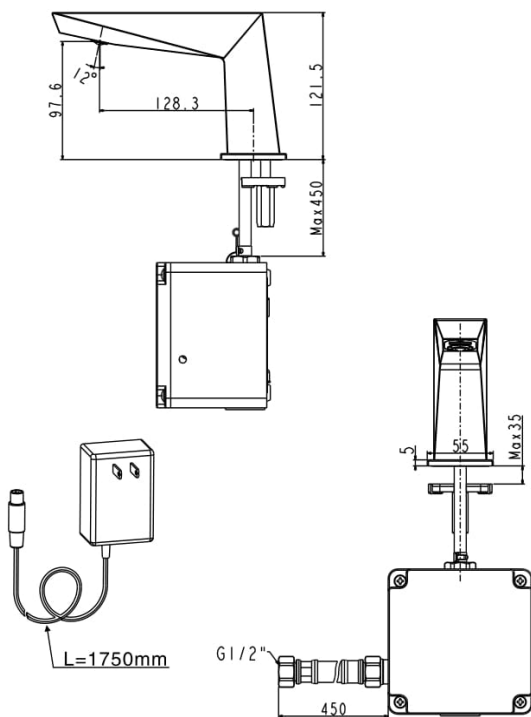
WF-8506.A00.50



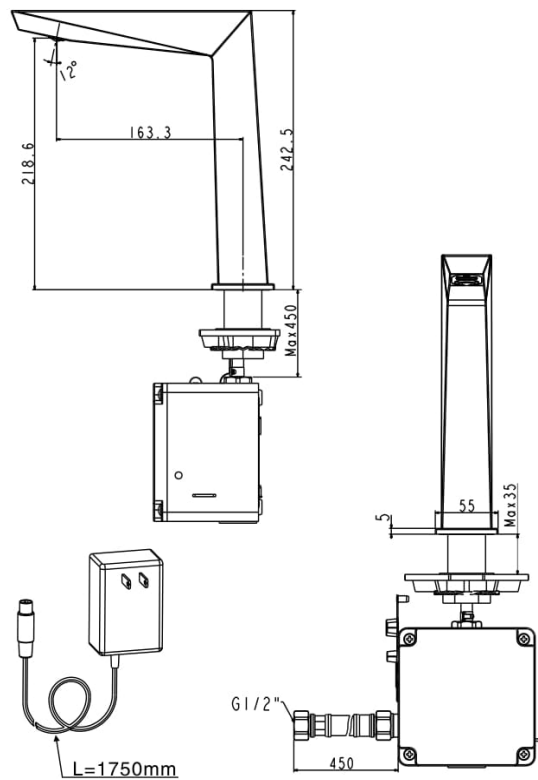
WF-8507.A00.50



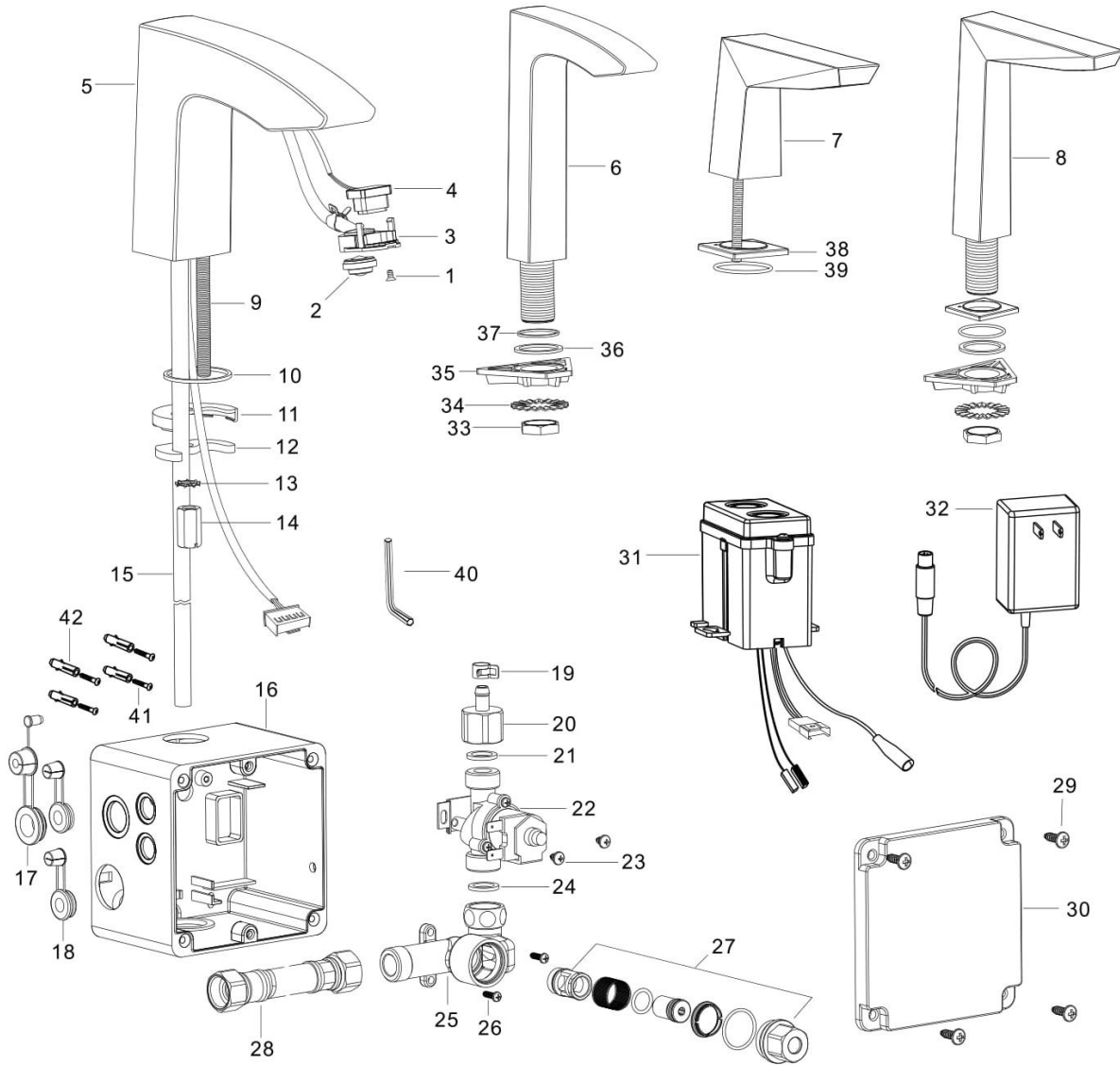
WF-8509.A00.50



WF-8510.A00.50



Parts List



Parts List

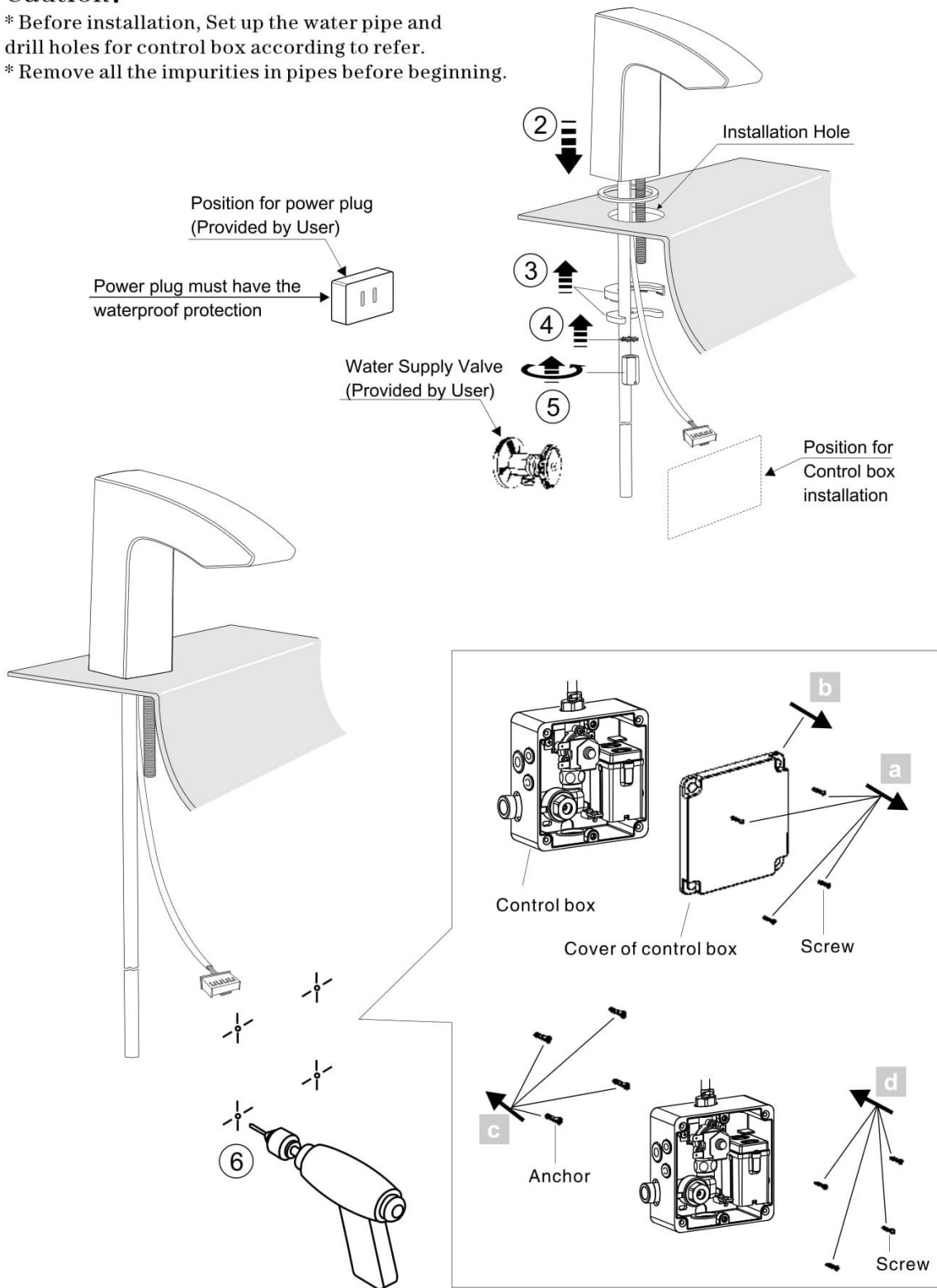
No.	Part Noame	Q'ty				No.	Part Noame	Q'ty			
		WF-8506	WF-8507	WF-8509	WF-8510			WF-8506	WF-8507	WF-8509	WF-8510
1	Screw	1	1	1	1	25	Body (Stop Valve)	1	1	1	1
2	Aerator	1	1	1	1	26	Screw	2	2	2	2
3	Sensor housing	1	1	1	1	27	Stop Valve	1	1	1	1
4	Sensor	1	1	1	1	28	Hose	1	1	1	1
5	Spout (CF-8506)	1	0	0	0	29	Screw	4	4	4	4
6	Spout (CF-8507)	0	1	0	0	30	Cover of control box	1	1	1	1
7	Spout (CF-8509)	0	0	1	0	31	Battery box	1	1	1	1
8	Spout (CF-8510)	0	0	0	1	32	Power adaptor	1	1	1	1
9	Shank	1	0	1	0	33	Nut	0	1	0	1
10	Washer	1	0	0	0	34	Washer	0	1	0	1
11	Washer	1	0	1	0	35	Plate	0	1	0	1
12	Washer	1	0	1	0	36	Washer	0	1	0	1
13	Washer	1	0	1	0	37	Washer	0	1	0	1
14	Nut	1	0	1	0	38	Cap	0	0	1	1
15	Hose	1	1	1	1	39	Washer	0	0	1	1
16	Shell of control box	1	1	1	1	40	In-hex Wrench	1	1	1	1
17	Plug (big)	1	1	1	1	41	Screw	1	1	1	1
18	Plug (small)	2	2	2	2	42	Anchor	1	1	1	1
19	Click	2	2	2	2						
20	Tie-in	1	1	1	1						
21	Washer	1	1	1	1						
22	Solenoid	1	1	1	1						
23	Screw	2	2	2	2						
24	Washer	1	1	1	1						

Installation

1 Installation for Spout and Control box

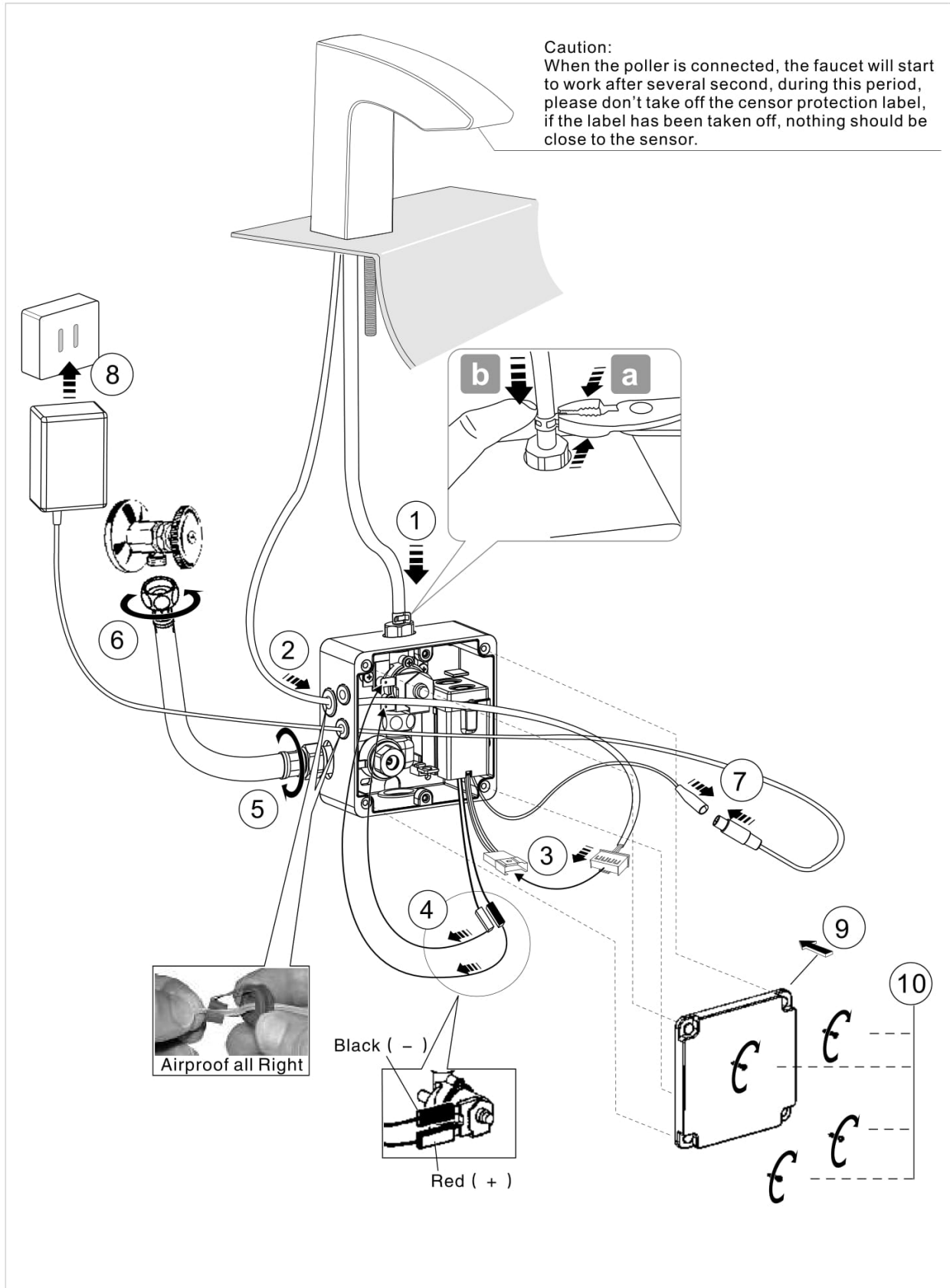
① Caution:

- * Before installation, Set up the water pipe and drill holes for control box according to refer.
- * Remove all the impurities in pipes before beginning.



Installation

2 Water pipe and electrical wire installation



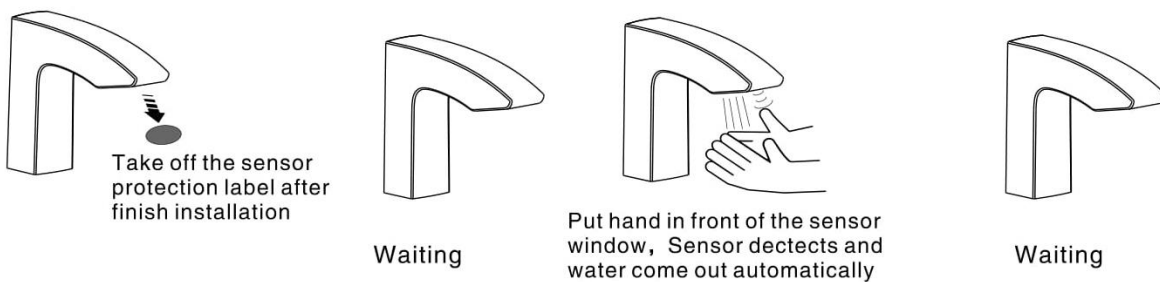
Usage Instruction

1 Test/Usage

Test

- * Make sure the connection of power and water supply.
- * Open the water supply, Make sure no leakage in all connection.
- * When enter the sensor zone, sensor detect and flush , When leave the detection zone, valve will flush again then stop, and waiting for start.
- * Make sure every thing in working order.

Usage



2 Overtime Usage Control

- * The sensor will stop working temporarily if the usage continuous 1 minute.
- * After it stop, hand or object must leave the detectioe range, when hand or object put into the detective range again, the sensor will work again, otherwise, it can't work.

3 Temperature control of Cold and Hot water mixing (Non-thermostatic valve)

- * This product is available juct for cold water if you need the cold and hot water mixing you have to add addiconal mixing valve or thermostatic valve to control the water temperature to avoid scald.

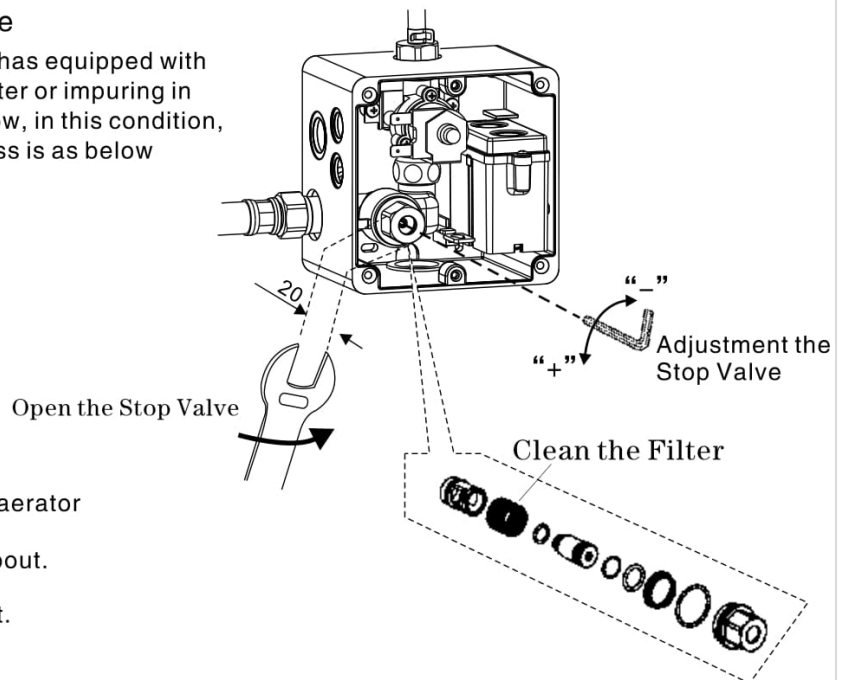
Trouble Shooting Guide

Problem	Reason	Correction
No Detection No Flow	No battery or the battery installed wrongly or no power supply Something around the sensor is detected all the time Sensor window is dirty The connection is not connected correctly	Install battery and connection power supply Remove the things around the sensor Clean the sensor window Check the connection Replace the bottery if the old one is used out
Has detection but no flow	The stop valve is closed Somethings around the sensor is detected all the time Sensor window is dirty	Open the stop valve Remove somethings around the sensor Clean the window
Low water flow	The stop valve is not opened entirely The filters are blocked Low water pressure	Open the stop valve entirely Clean the filters Contact with water supply department
Water flow nonstop	Something around the sensor is detected all the time The Solenoid Valve are blocked	Remove the things around the sensor Clean the Solenoid Valve

Care & Maintenance

1. Filter for Care & Maintenance

The Stop Valve of this sensor faucet has equipped with good quality filter, But the impure water or impuring in the water pipe will affect the water flow, in this condition, you should clean the filter, the process is as below



2. If necessary, you could clean the aerator

too as per below step

- Screw off the Aerator from the Spout.
- Clean the Aerator with water.
- Reinstall the Aerator to the Spout.

